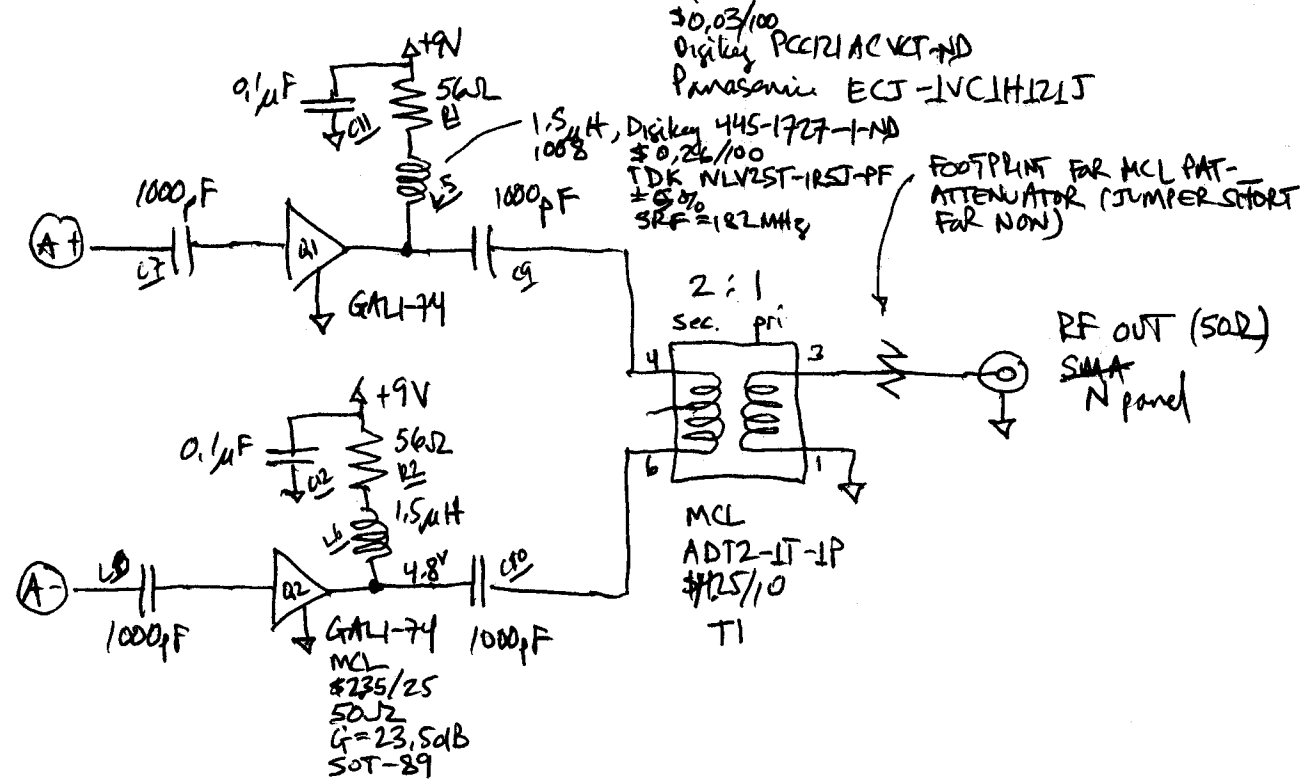
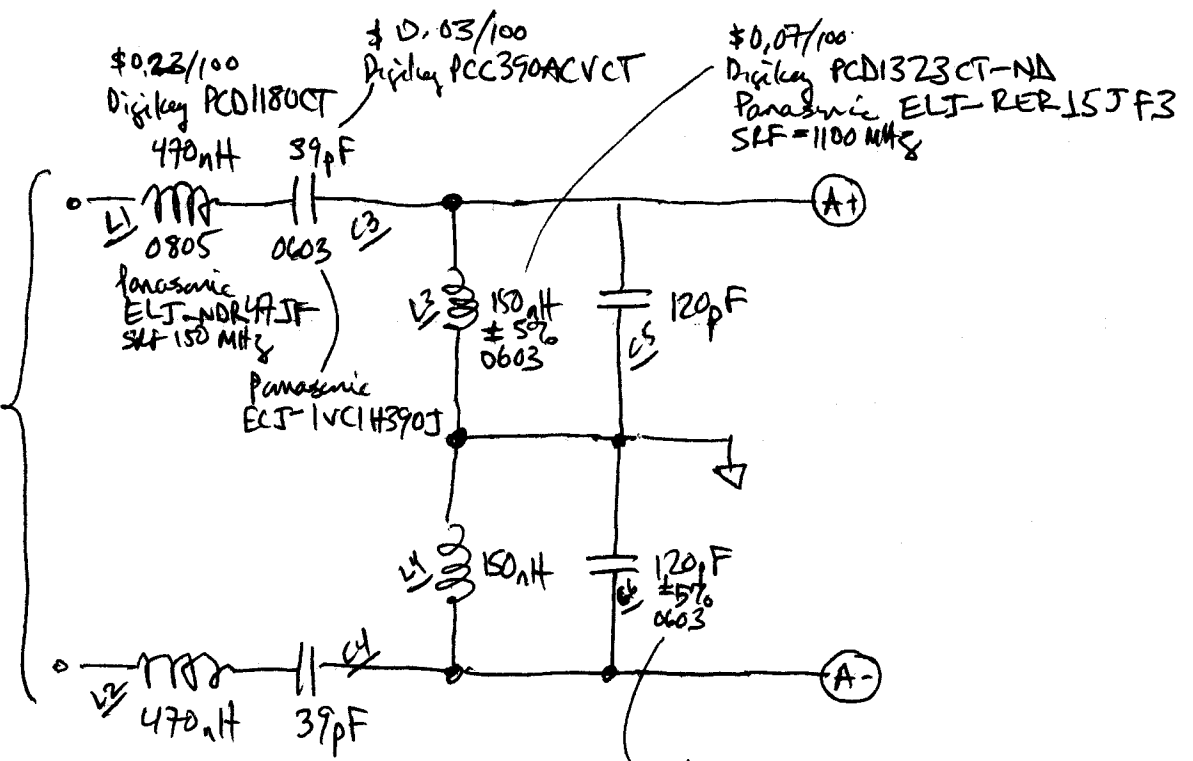
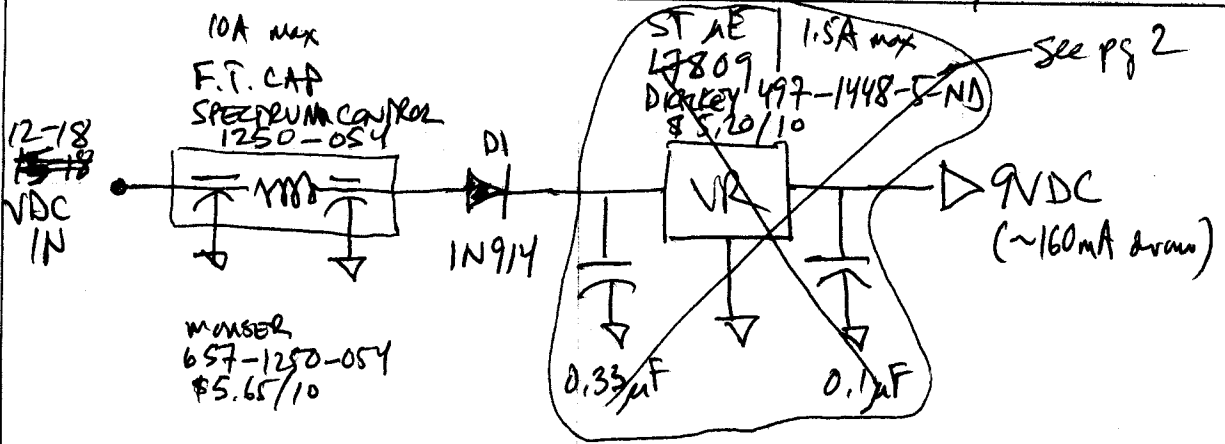
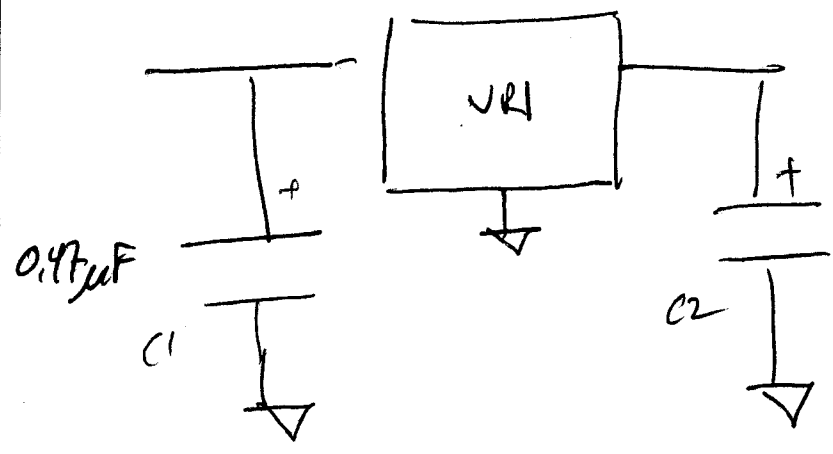


STAEDTLER No. 937 811E Engineer's Computation Pad

ANTENNA (DIPOLE) TERMINALS

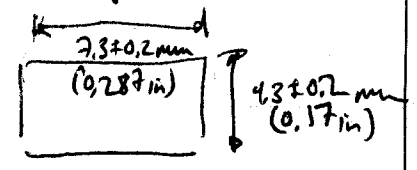


LM2940IMP-9.0  
 Digkey LM2940IMP-9.0CT-ND 81.52/25  
 SOT 223

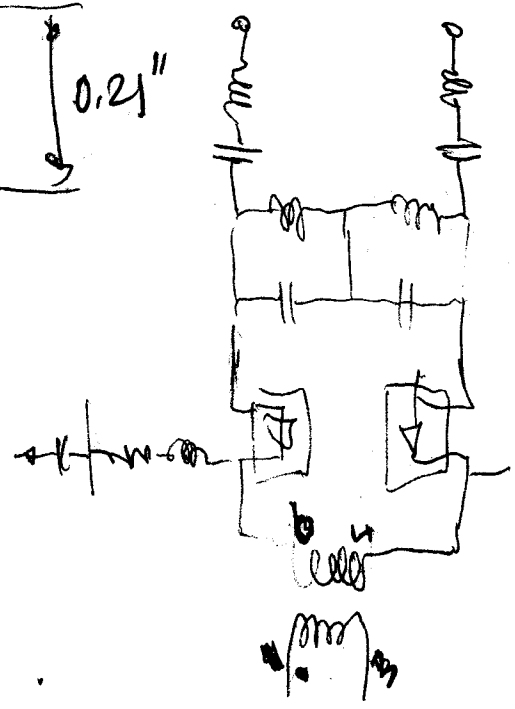
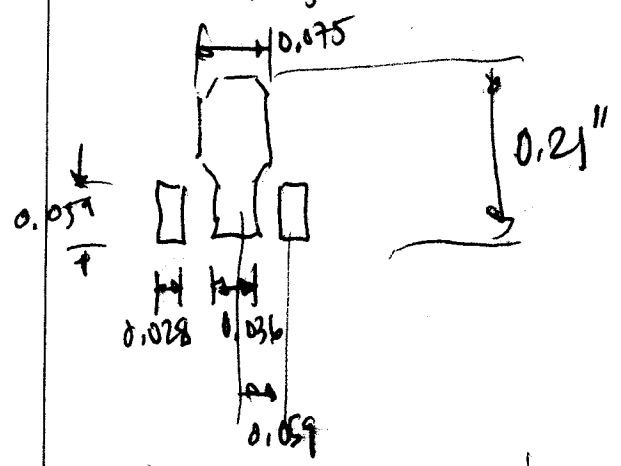
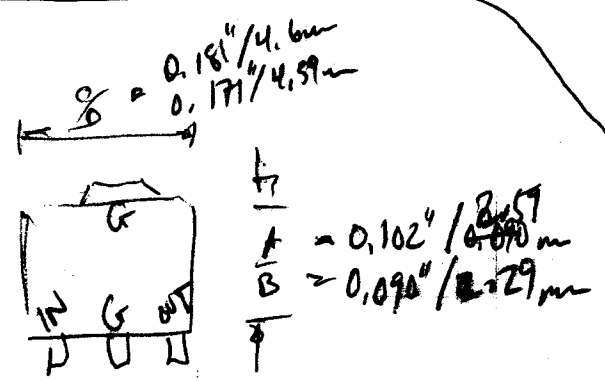


( 22µF min  
 ESR = { 0.1; 1.0 } Ω  
 0.5 Ω required?  
 Tantalum recommended )

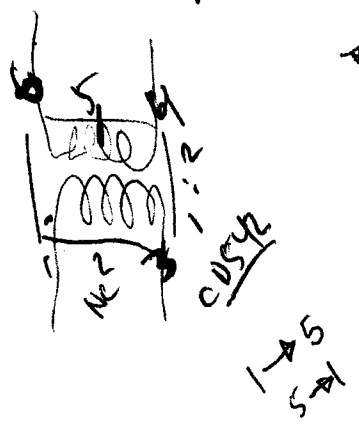
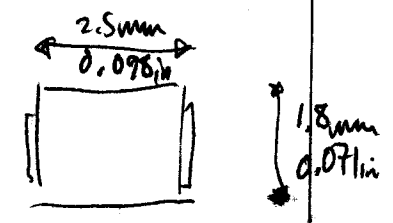
P931 C476MNC Nichicon  
 Digkey 493-2373-1-ND  
 47µF ESR=0.7Ω Part  
 16V  
 Φ0.66/100  
 Case Size N



$$\frac{0.35" (8.9mm)}{2572} = 0.15" (3.8mm)$$



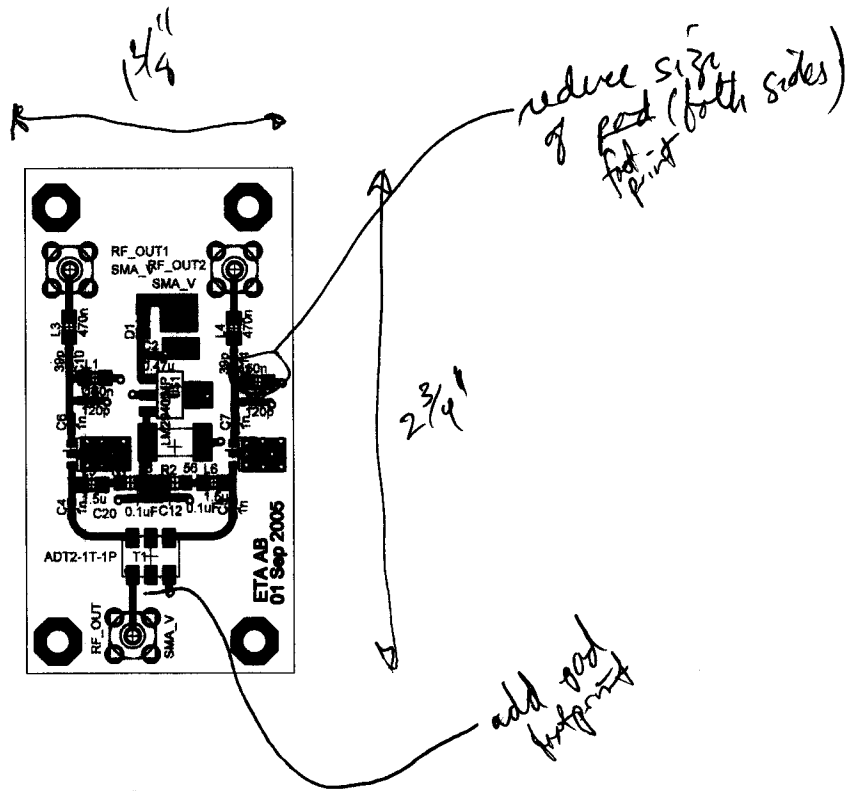
TDK inductor



**ETA Active Balun - BOM - 050915**

ID(s)	Type	Value	Mfr. Part No.	Section	Distributor	Distributor PN	Qty Basis for (Cost	Qty	Total	Remarks
	Enclosure		1590G		Digikey	HM841-ND	\$6.430	1	\$6.43	
	Binding Post				Digikey	H7005K-ND	\$3.300	2	\$6.60	Dipole arms attach here
	FT Cap		1250-054	Power	Mouser	657-1250-054	\$5.020	1	\$5.02	
	Ground Lug						\$0.00	0	\$0.00	May not be needed
RF_OUT	N(F) Panel Jack		ANF-4010		HyperLink	ANF-4010	\$3.790	1	\$3.79	
	PCB				PCBEpress		\$40.000	1	\$40.00	
D1	Diode	1N914	FDLL914	Power	Mouser	512-FDLL914	\$0.030	1	\$0.03	
C1	Cap	0.47 uF		Power	Digikey	490-3291-1-ND	\$0.163	1	\$0.16	
VR1	VR	9V	LM2940IMP-9.0	Power	Digikey	LM2940IMP-9.0CT-ND	\$2.050	1	\$2.05	
C2	Cap	47 uF	F931C476MNC	Power	Digikey	493-2373-1-ND	\$0.757	1	\$0.76	
L1,L2	Ind	470 nH	ELJ-NDR47JF	Match	Digikey	PCD1180CT	\$0.291	2	\$0.58	
C3,C4	Cap	39 pF	ECJ-1VC1H390J	Match	Digikey	PCC390ACVCT	\$0.044	2	\$0.09	
L3,L4	Ind	150 nH	ELJ-RER15JF3	Match	Digikey	PCD1323CT	\$0.039	2	\$0.08	
C5,C6	Cap	120 pF	ECJ-1VC1H121J	Match	Digikey	PCC121ACVCT	\$0.044	2	\$0.09	
C7-C10	Cap	1000 pF	ECJ-1VB1H102K	Gain	Digikey	PCC1772CT	\$0.040	4	\$0.16	
Q1,Q2	Amp		GALI-74	Gain	Mini-Circuits		\$4.700	2	\$9.40	
C11,C12	Cap	0.1 uF	ECJ-1VB1E104K	Gain	Digikey	PCC2277CT	\$0.063	2	\$0.13	
R1,R2	Res	56 ohm	ERJ-1TYJ560U	Gain	Digikey	PT56XCT-ND	\$0.396	2	\$0.79	
L5,L6	Ind	1.5 uF	NLV25T-1R5J-PF	Gain	Digikey	445-1727-1	\$0.325	2	\$0.65	
	Att		PAT-x	Balun	Mini-Circuits		\$0.00	0	\$0.00	May not be needed
T1	Tra	1:2	ADT2-1T-1P	Balun	Mini-Circuits	ADT2-1T-1P	\$4.950	1	\$4.95	

TOTAL \$81.75



NOTE: Components & pads are incorrect on PCB silk screen layer.